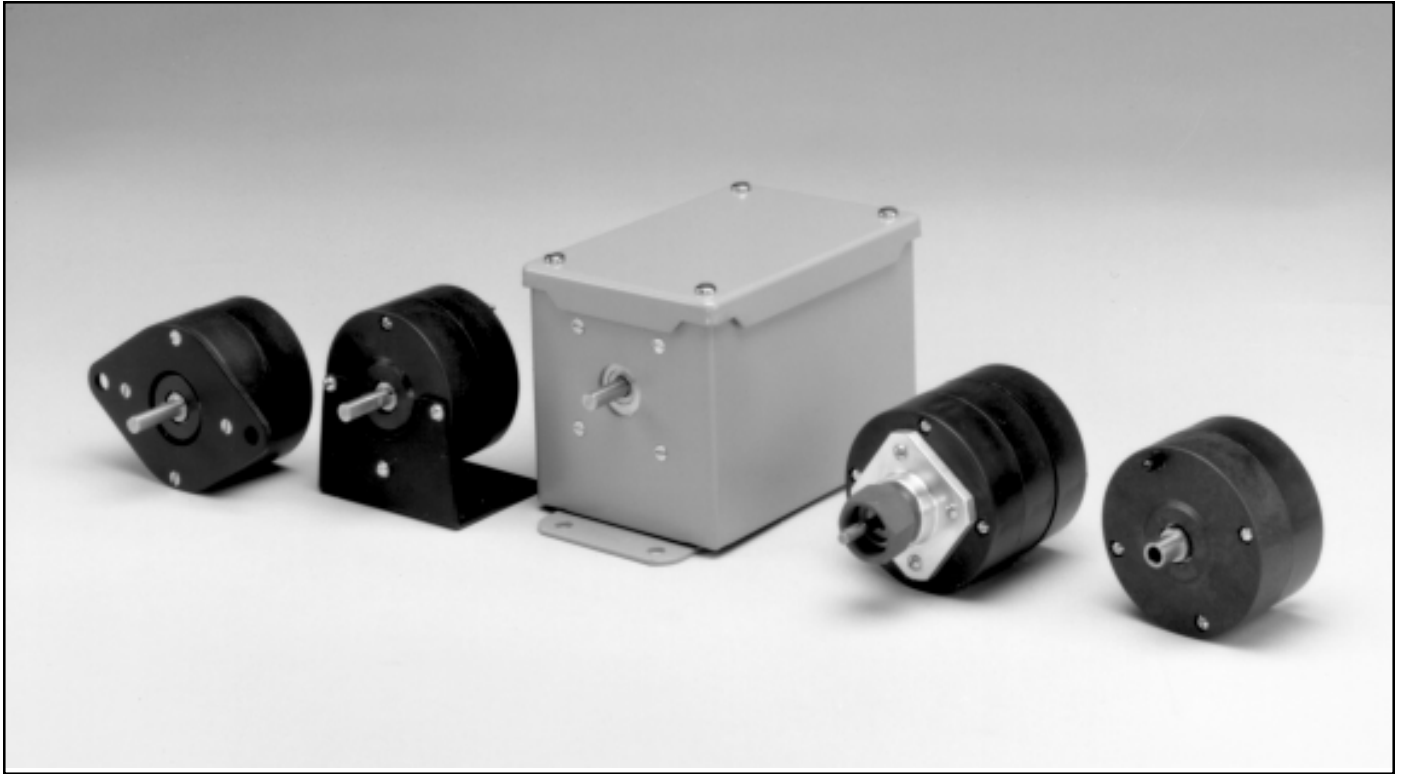


AC Tachometer Generators



Features

- Low cost
- Self powered
- Only one moving part
- Full one year warranty
- Various mounting options
- Able to power multiple indicators
- Brushless for long, maintenance free performance
- Wide range of standard voltage outputs

Designed for constant industrial use, Madison Electric AC Tachometer Generators are a simple and reliable means of generating AC Voltage for an AC Voltage sensitive device. Madison Electric AC Tachometer Generators provide a voltage output proportional to input speed. AC Tachometer Generators are often used to supply the signal for our Model 100 analog indicator.

Madison Electric AC Tach Generators are induction-type, permanent-magnet generators with only one moving part; a stainless steel shaft assembly with precision, permanently lubricated shielded ball bearings for long, trouble-free service.

Madison AC Tachometer Generators are available in a variety of mounting and output configurations. Standard voltage outputs range from 1.5VAC to 90VAC per 1000 RPM.

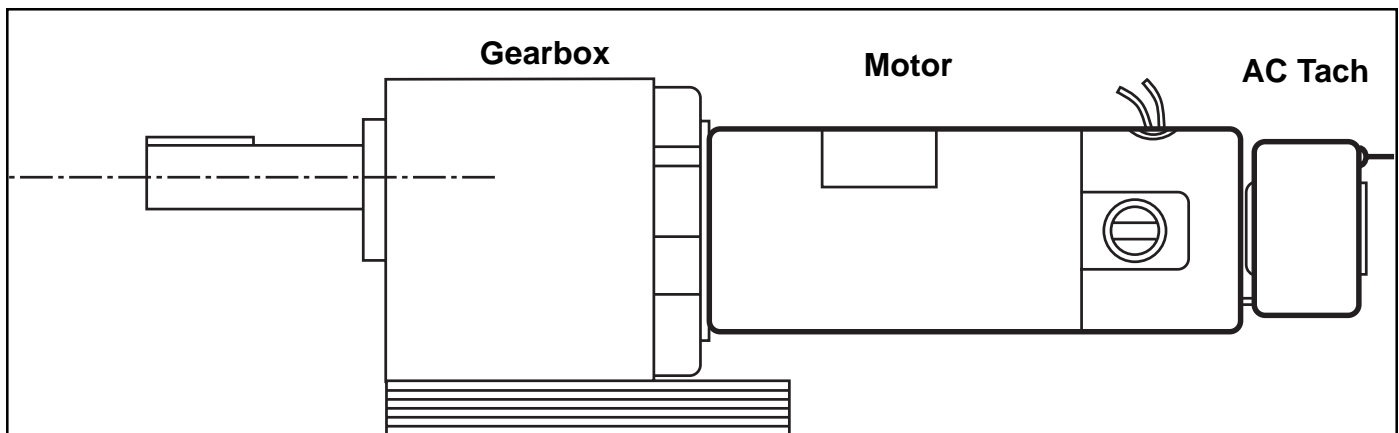
Coupled directly to a shaft, or by using a 12" circumference wheel for FPM measurement, AC Tach Generators are well suited for OEM sensor applications requiring long term standby or continuous duty operations.

AC Tachometer Generators

Specifications

- Speed range 50–8000 RPM
- Accuracy +/- 1%
- Output
 - Wave form AC Sine Wave
 - Voltage Std. 1.5VAC to 90VAC @ 1000 RPM
 - Current Dependent upon voltage
 - Frequency Std. 7 Cycles-per-Revolution
- Operating temp. 0° – 55°C (32° – 130°F)
- Shaft
 - Material ----- Stainless Steel
 - Diameter ----- 5/16" flatted
 - Precision ball bearings
 - Alnico VI permanent magnets
 - Starting torque ----- 4 in. oz.
 - Running torque ----- 2 in. oz.
- Case ----- Reinforced molded plastic
- Weight ----- Base mount: 12 oz.

The Madison Electric AC Tachometer Generator has a 7-cycle per revolution sine wave output. The output frequency and amplitude are proportional to the shaft rotational speed. Specify your voltage when ordering.

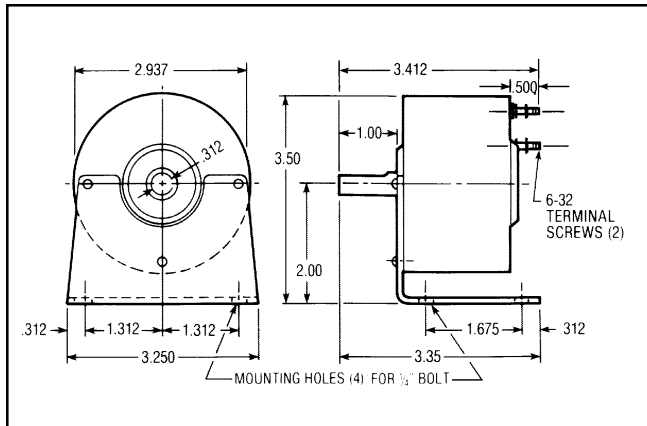


The AC Generator's unique design allows mounting directly to your motor with minimal increase in overall length.

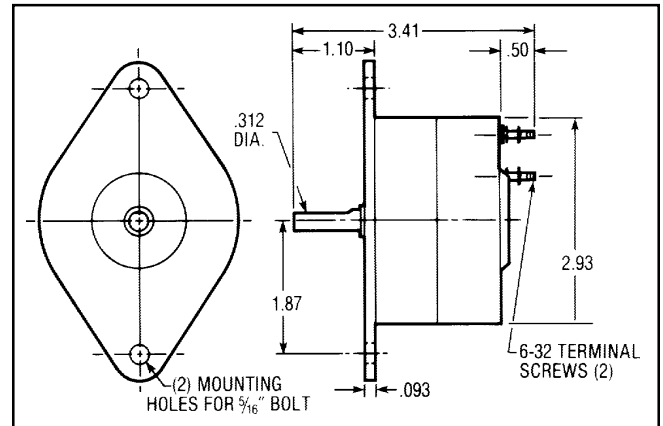
AC Tachometer Generators

Mounting Types

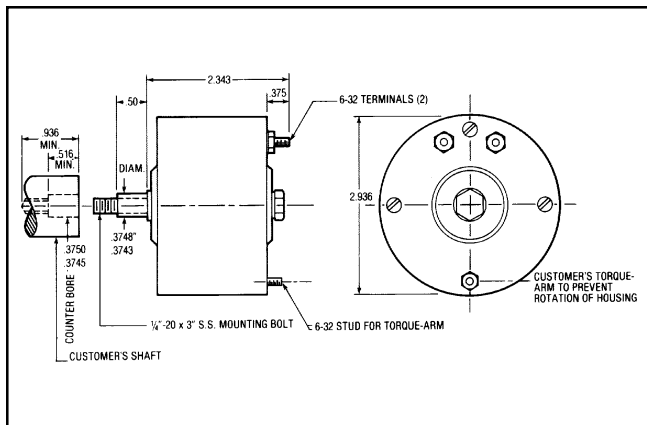
B...Base Mounted



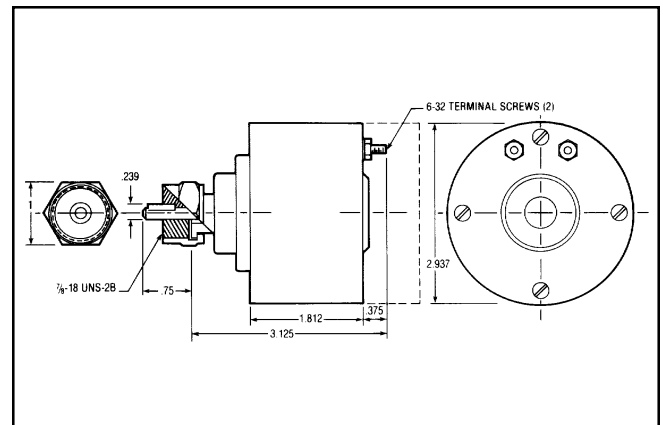
F...Flange Mounted



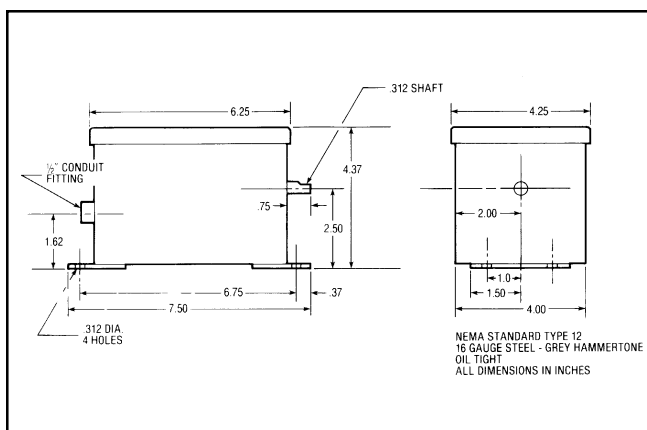
S...Shaft Mounted



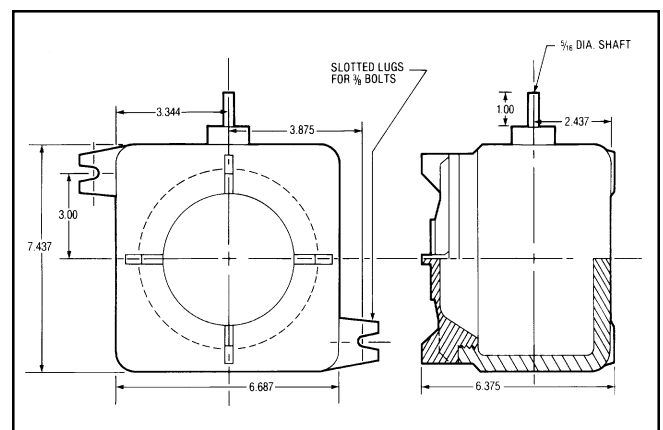
X...SAE Tach Takeoff Mounted



W...Weather-proof



E...Explosion-proof



AC Tachometer Generators

Form #	19	18	17	14	16	15	26	613	25	25SS	623SS
Output Voltage AC @ 1000 RPM	1.39	2.78	5.56	8.89	11.10	16.70	22.20	30.00	33.40	50.00	90.00
Output Voltage AC @ 1800 RPM	2.50	5.00	10.00	16.00	20.00	30.00	40.00	54.00	60.00	90.00	162.00

Voltage: 1.39 to 90 VAC @ 1000 RPM
2.5 to 162 VAC @ 1800 RPM

How to Order

1. Mounting Types – Dimensions for the mounting types can be found on the preceding page.

- B Base mount
- F Flange mount
- S Shaft mount
- X SAE takeoff mount
- W Weather-proof mount
- E Explosion proof

2. Connection

- T Terminal screws
- F Amphenol connector
- C Terminal cover with 1/2" conduit connector

3. Form Number – This number specifies the voltage output of the AC Tachometer Generator. Select a form number from the above chart or specify the voltage at 1000 RPM.

Ordering — Complete the following number for your AC Tachometer Generator

(3) Form # or voltage _____
 (2) Connection _____
 (1) Mounting type _____
 AR - - -

Example Part Number: ARB-F-613